

Technical Specifications

Canister and lid

- Material: Glass reinforced nylon
- Fluid capacity: 840 ml
- Inlet diameter: 28 mm at valve
- Outlet diameter: 28 mm at valve
- Thread: Pressure thread
- Flow configuration: Bi-directional
- Main lid seal: EPDM
- Valve to canister: EPDM

Magnet

- Housing: Stainless steel
- Length: 225 mm
- Diameter: 19 mm

Bleed valve

- Body material: Nickel plated brass
- Screw: Nickel plated brass
- Thread interface: M6
- Seals: EPDM

Drain port

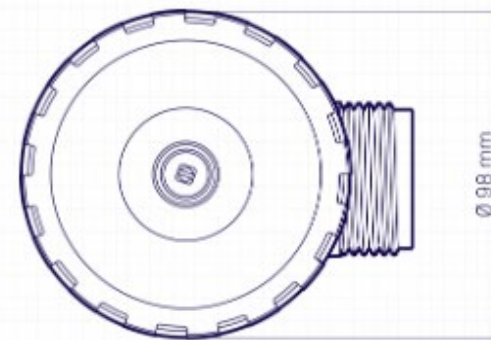
- Drain plug material: Nickel plated brass
- Drain plug thread: M8
- Seals: EPDM

Triple seal valves

- Body material: Nickel plated brass
- Seals material: Long life PTFE ball seals
- O ring material: EPDM 70 seals x3
- Valve inlet/outlet: 28 mm

Servicing Clearance

- Air vent (top): 50 mm
- Drain Plug (bottom): 50 mm



Canister and lid

